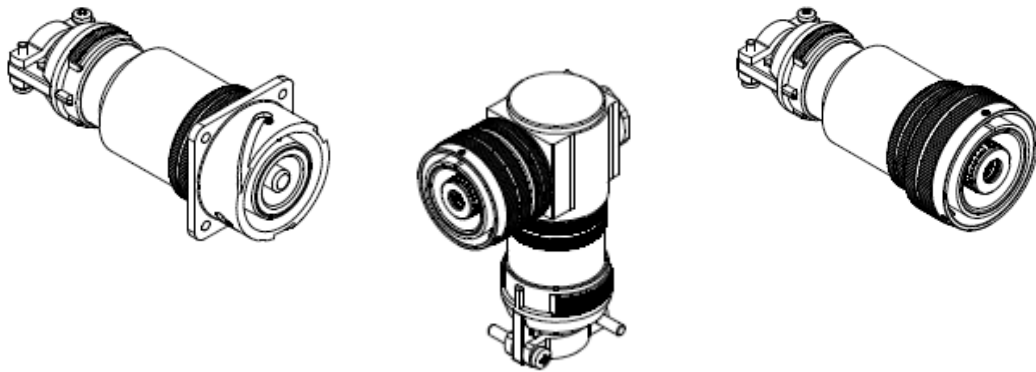




van-system s.r.l.

PWBS



Single Pole Metal Shell Connectors

Authorized North American Distributor



Clements National
division of **WINCHESTER**
ELECTRONICS

2150 Parkes Drive, Broadview, Illinois 60155 USA
Toll Free: 1-800-966-0016
Direct/International: 708-594-5890 • Fax: 708-594-2481
www.winchesterelectronics.com • www.clementsnational.com

PWBS

Working Voltage	1800Vdc 1300Vac
Test Voltage	5600Vac 60 sec
Environmental sealing (when mated)	IP67
Insulating Material	UNI CEI 11170-3 NFF 16-102 Need 3
Temperature Class	T according to EN50125-1: -25°C +45°C
Min and maximum working temperature	H PWBS -40°C +180°C PWBS -40°C +120°C
Temperature rise under load	600A continuous: 37°C 1000A continuous: 121°C Cycle 2sec @1300A +300sec 1000A:112°C
Short circuit current	
Surge current (din VDE 0102/1.90)	
Other characteristics	
Contact retention	Metal clip
Plastic material	According to CEI11170-3 and NFF 16-102 (4) Two version are available: Standard -40°C +120°C High performance -40°C + 180°C
Contact	Silver plated copper alloy According to the need can be supplied with 1 or two contactaion bands
Shielding	Available when supplied with grounding finger, conductive plating and the proper rear accessory

* where applicable

Authorized North American Distributor

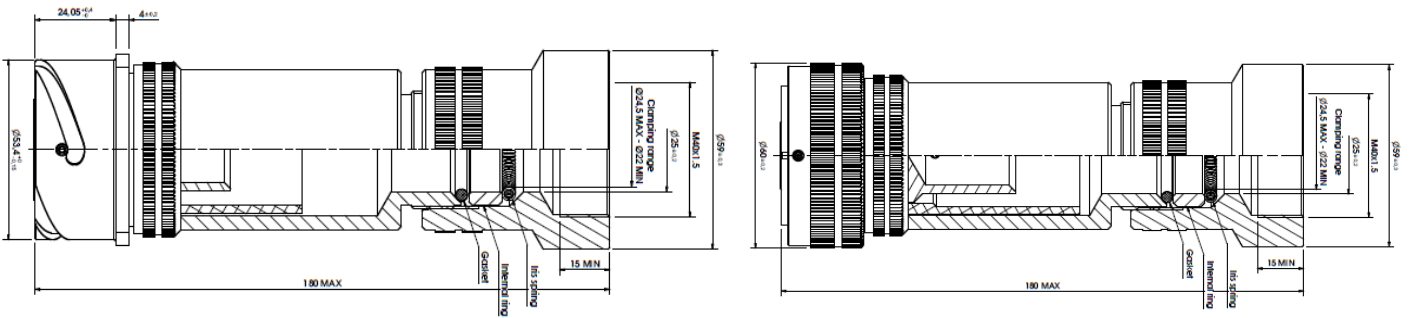


Clements National
division of **WINCHESTER**
ELECTRONICS

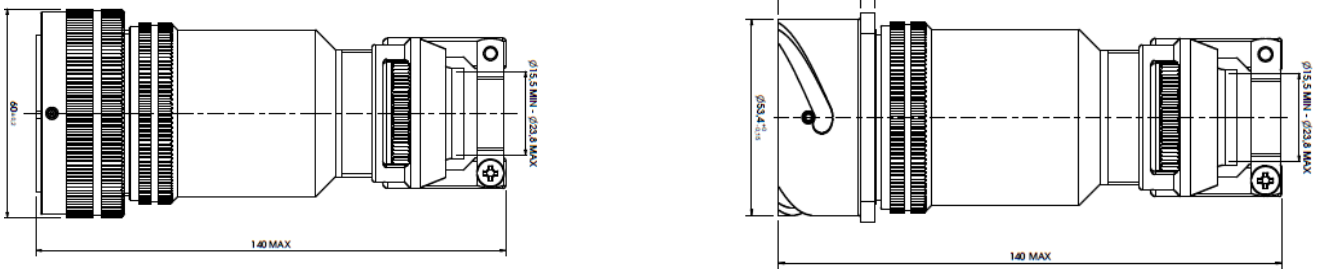
2150 Parkes Drive, Broadview, Illinois 60155 USA
Toll Free: 1-800-966-0016
Direct/International: 708-594-5890 • Fax: 708-594-2481
www.winchesterelectronics.com • www.clementsnational.com



PWBS



AMK Backshell System



AC Backshell System

Authorized North American Distributor

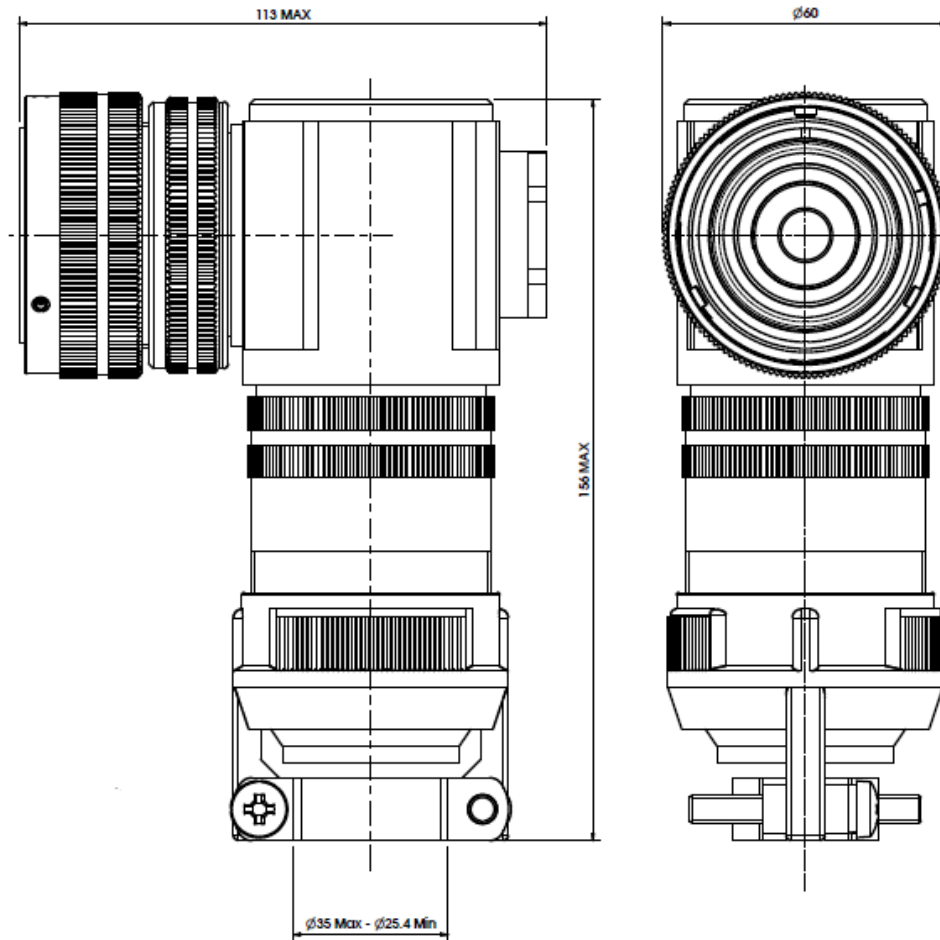


Clements National
division of **WINCHESTER**
ELECTRONICS

2150 Parkes Drive, Broadview, Illinois 60155 USA
Toll Free: 1-800-966-0016
Direct/International: 708-594-5890 • Fax: 708-594-2481
www.winchesterelectronics.com • www.clementsnational.com



PWBS



AC Elbow System

Authorized North American Distributor



Clements National
division of **WINCHESTER**
ELECTRONICS

2150 Parkes Drive, Broadview, Illinois 60155 USA
Toll Free: 1-800-966-0016
Direct/International: 708-594-5890 • Fax: 708-594-2481
www.winchesterelectronics.com • www.clementsnational.com

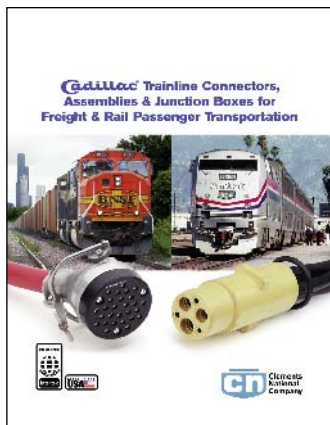


PWBS

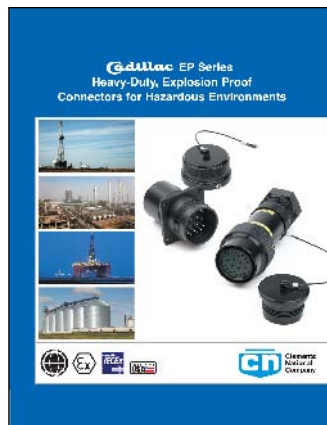
Temp. range	Serie	Type	Accessory	Arrangement	P/S	Contact	accessory additional information	Plating
H	PWBS	06	AMK	32B1	P	LC	23 M40	F7

Temp Range	
-	-40 120°
H	-40 180°
Serie	
PWBS	Single pole power connectro metallic shell
Type	
06	plug
06GG	Plug with rubber coated coupling nut
96	Plug with grounding finger (shielding)
96GG	Plug with grounding finger and rubber coated coupling nut
030	Rear Mount receptacle
01	Inline receptacle
Accessory + accessory additional information	
AC R16	Backshell with C type cable clamp (13-19mm)
AC R20	Backshell with C type cable clamp (17-23mm)
AC R28	Backshell with C type cable clamp (25-31mm)
AMK 23 1 13/4	Amk 23mm sealing externa thread 1 3/4" UNEF
AMK 23 M40	Amk 23mm sealing externa thread M40 internal
AMK 19 M40	Amk 19mm sealing externa thread M40 internal
Arrangement	
32B1	Shell 32 single pole
P/S	
P	Pin contact (receptacle)
S	Socket contact (Plug)
Contact	
LC	Contact supplied loose
2 30-120	Double band 120mm ²
2 30-185	Double band 185mm ²
2 30-240	Double band 240mm ²
1 30-120	Single band 120mm ²
1 30-185	Single band 185mm ²
1 30-240	Single band 240mm ²
Plating	
F7	Black poliuretanic painting
F26	Black anodized
F16	Zinc cobalt black (conductive)

Additional Clements National Industry Specific Catalogs



Power & Control Connectors, Cable Assemblies & Junction Boxes for the Freight & Rail Passenger Industry.



EP Series Heavy-Duty, Explosion Proof Connectors for Hazardous Environments, including Marine, Oil & Gas, and Grain Silos.

Clements National Sales Offices:

Dennis Carlson
Clements National Company
2150 Parkes Drive
Broadview, Illinois 60155
Tel: 708-594-5890 x 218
Fax: 708-594-2481
E-Mail: dns Carlson@winchesterelectronics.com

Steve Riddell
Clements National Company
672 Ramsgate Rd.
Burlington, Ontario L7N 273
Canada
Tel: 905-464-1268
Fax: 905-681-0182
E-Mail: sriddell@winchesterelectronics.com

Andrea Nehrbass
Clements National Company
2150 Parkes Drive
Broadview, Illinois 60155
Tel: 708-594-5890 x 234
Fax: 708-594-2481
E-Mail: a.nehrbass@winchesterelectronics.com

Michael Carroccia
MEC Sales
266 South Road.
Farmington, CT 06032
Tel : 860-676-1308
Fax: 860-676-1492
Mobile: 860-614-4401
E-mail: carroccia@sbcglobal.net

An Authorized Distributor of Van Systems Connectors



Specifications subject to change without notice.

© Clements National Company 2014

Cadillac is a Registered Trademark of Clements National Company.

October 2014

2150 Parkes Drive, Broadview, Illinois 60155 USA
Toll Free: 1-800-966-0016
Direct/International: 708-594-5890 • Fax: 708-594-2481
www.winchesterelectronics.com • www.clementsnational.com